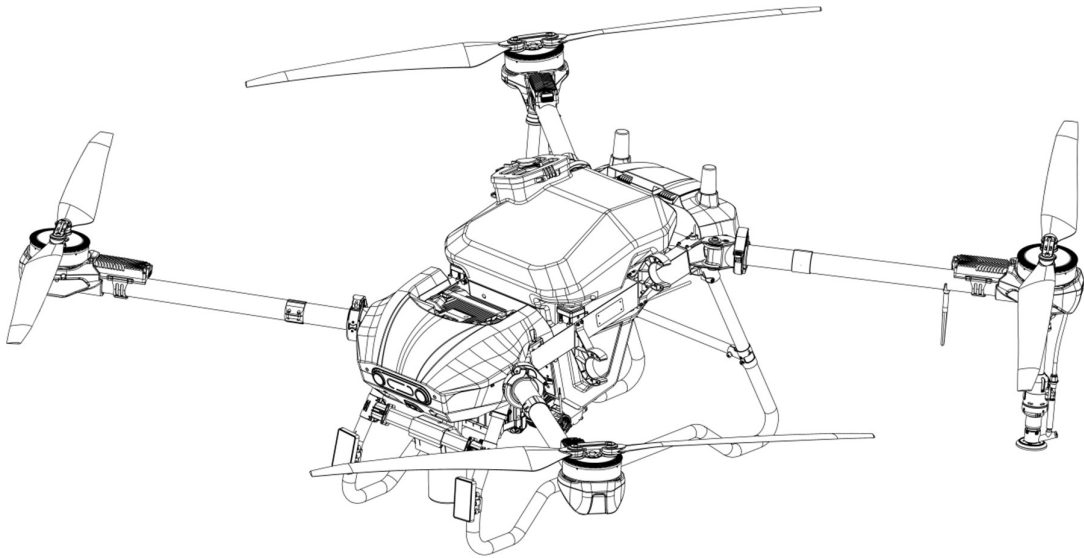


Agricultural Drone Instruction Manual

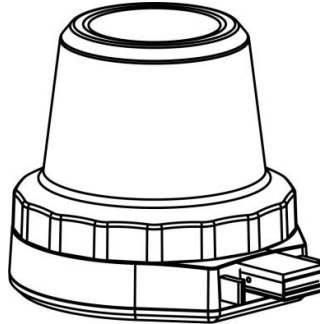
RTK planning

Version 1.0



When implementing RTK planning, the RTK high-precision positioning module must be installed on the remote control for accurate measurement. For your safety, always ensure that the drone is powered off when using remote control planning function.

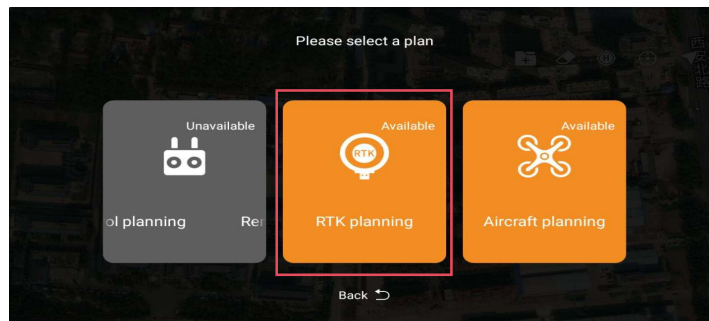
1. Insert the RTK high-precision module into the remote control.



2. Click the "Plan Fields" on the main interface of the remote control.



3. Select "RTK planning".

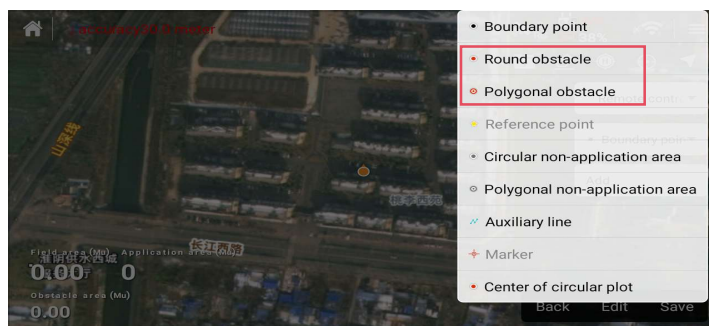


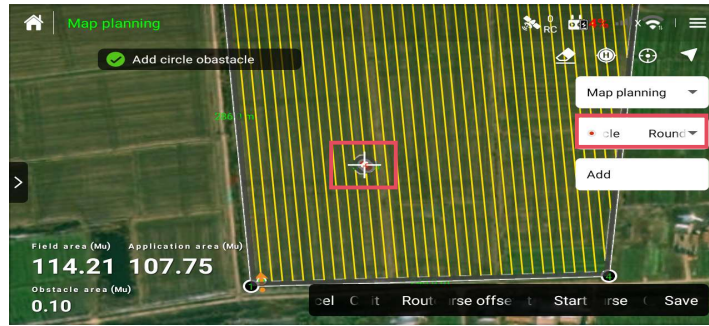
4. When the accuracy column of the remote control satellite in the top-left corner turns green, hold the remote control and walks around the boundary of the farmland to

measure the farmland. At each turning point of the farmland, you need to click "Add" to add a boundary point.



5. If there are obstacles in the operation area, you can click "Boundary point" on the right side, after expanding the drop-down list, click "Round obstacle" or "Polygonal obstacle" to plan the obstacle.





6. After obstacle planning is complete, click "Finish". After the GPS point position determination is complete, click "Save" in the lower right corner.



7. Enter the plot name in the pop-up window called "Save field".
8. You can also click "Corn" to select other crop types.



9. Click "Save" to complete the RTK planning.