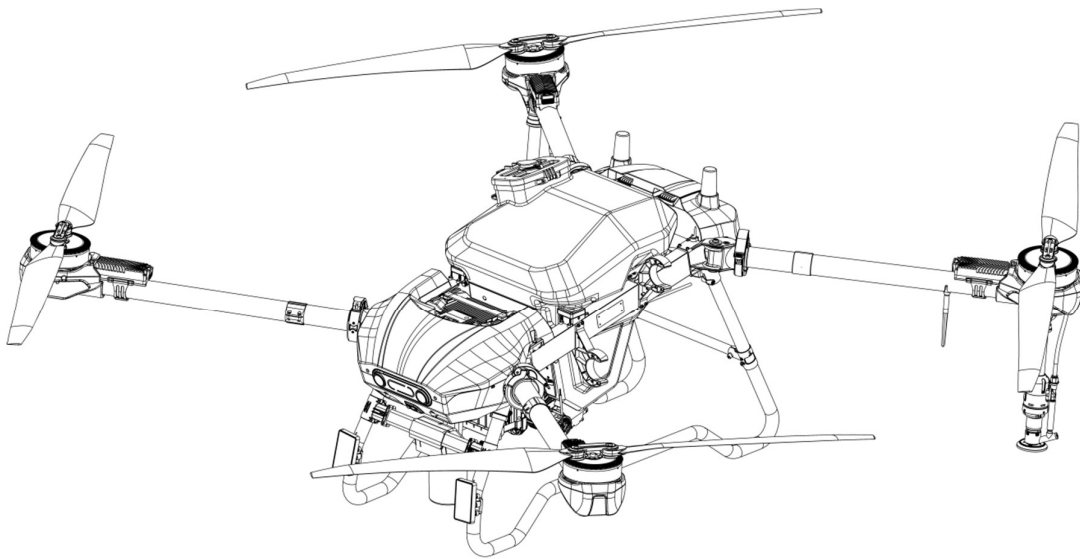


Agricultural Drone Instruction Manual

Calibration of material templates

Version 1.0



When using UAV for sowing operation, different fertilizers need to be calibrated by material template to avoid inaccurate sowing amount.

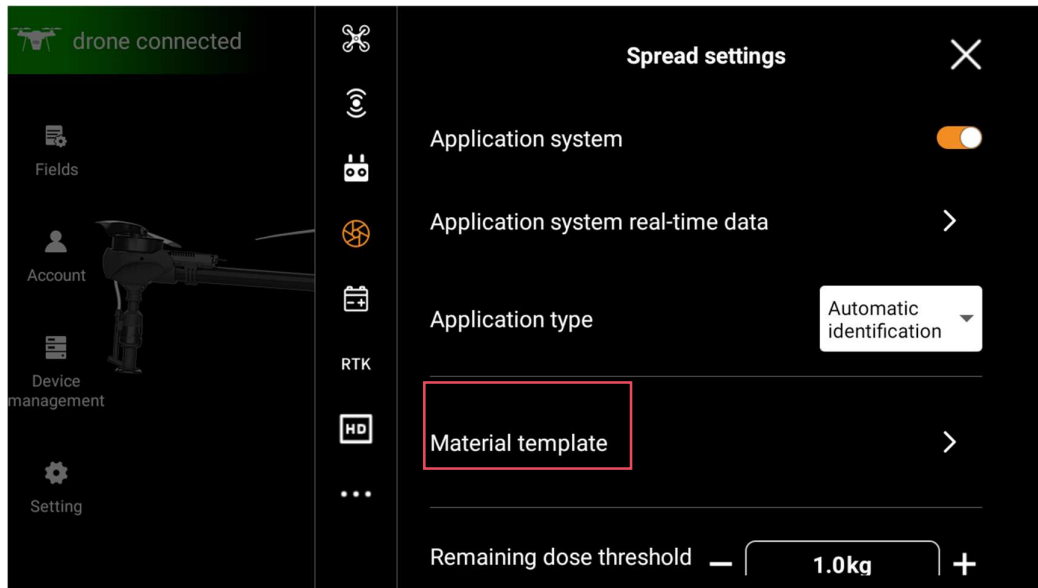
1. Turn on the remote control first, then power on the UAV, enter the home page of Huida UAV APP, and wait for the UAV to connect with the remote control and complete the self-test after startup.



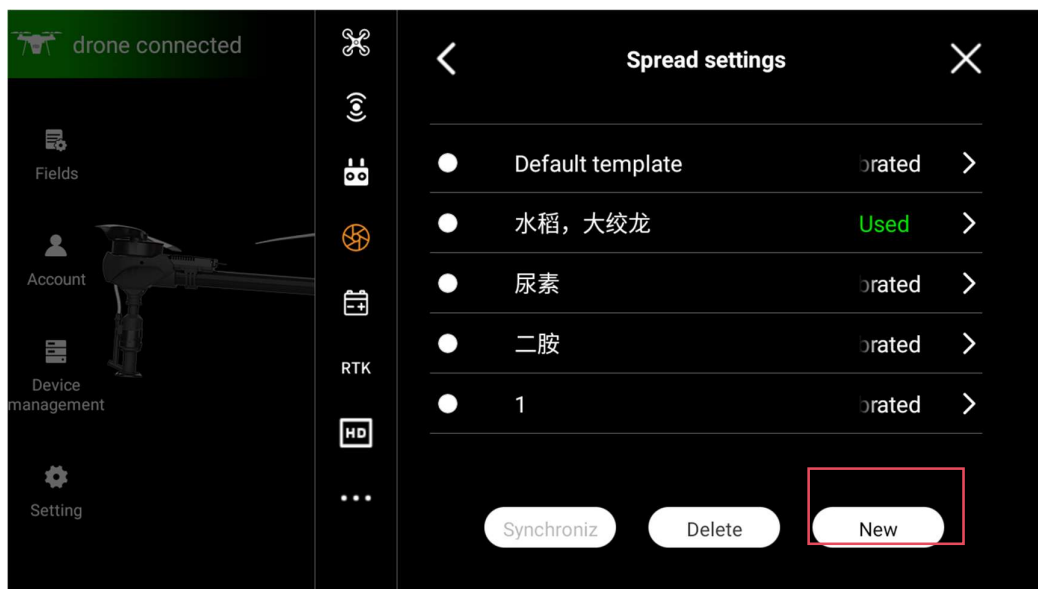
2. Before calibration, the bottom of the spreader must be removed and 50 kg of fertilizer must be added to the fertilizer tank. At the same time, a container should be prepared and placed under the fertilizer tank to catch the fertilizer used in the calibration process.



- Find the "Broadcast Settings" interface, click the material template function to enter the broadcast Settings interface.



- Find the "Broadcast Settings" interface, click the material template function to enter the broadcast Settings interface, and click "Add".



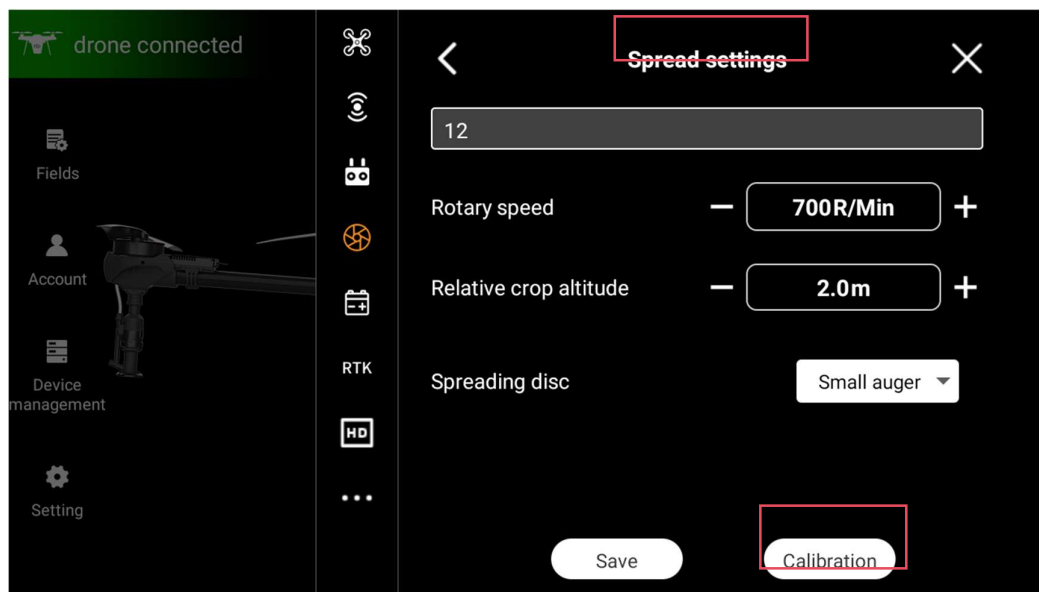
- After setting the spreading material parameters, click calibration.

Material name: such as urea/fertilizer, etc

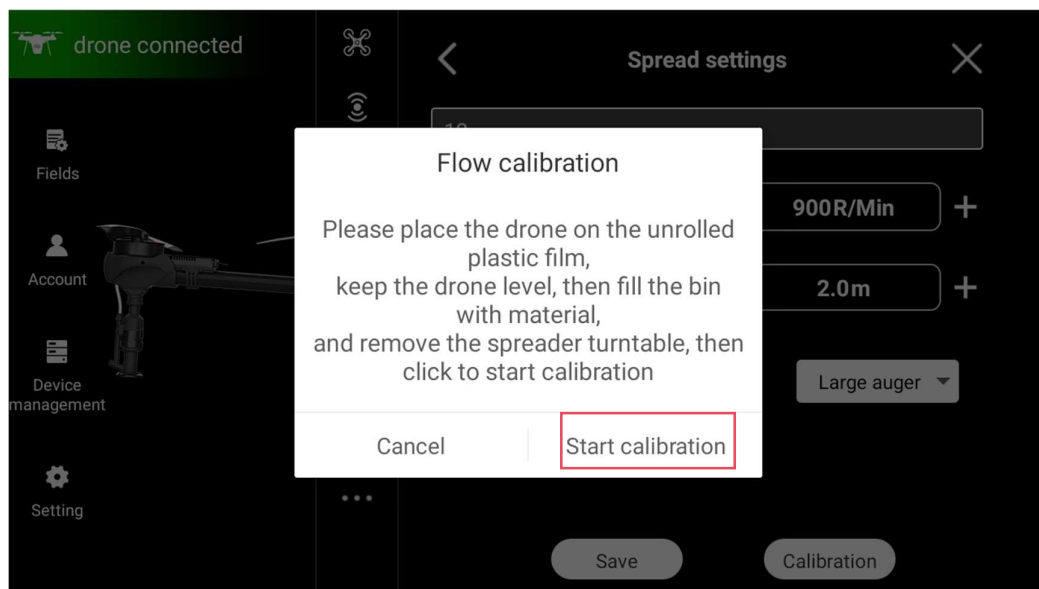
Turntable speed: recommended 900-1000 rpm

Relative crop height: 2m-3m (planned according to the terrain)

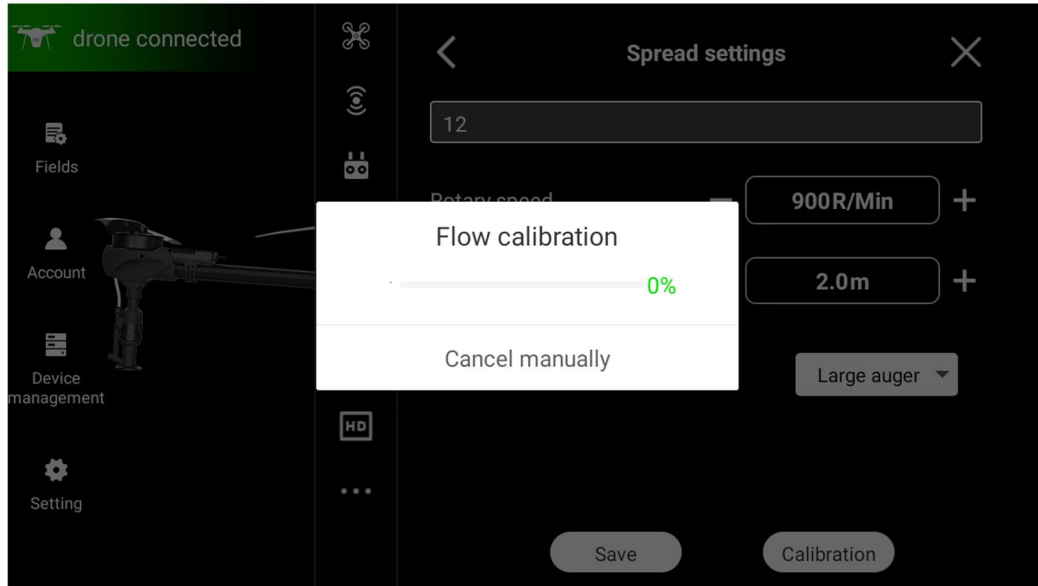
Type of spreading plate: large screw, medium screw, small screw (select according to the size of the particles of the spreading material, and the recommended order of screw is large-medium-small)



6. Click to start calibration.



7. Just wait for the calibration to succeed.



8. After the calibration is successful, click "I know" to broadcast the material template calibration is complete.

